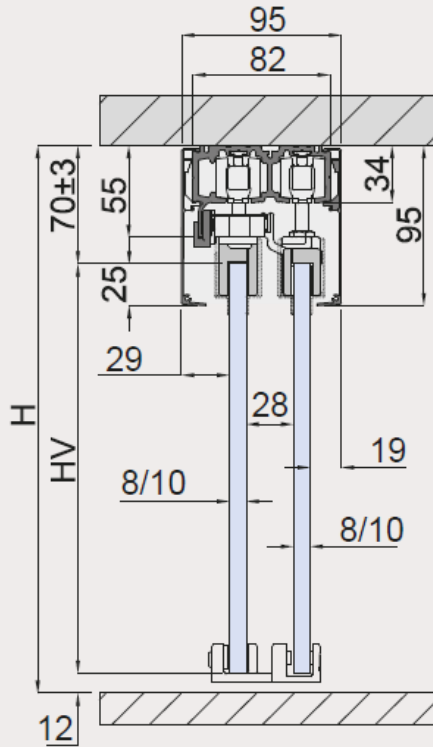


LSD16 Schiebetürsystem

A soffitto
Ceiling
Decke

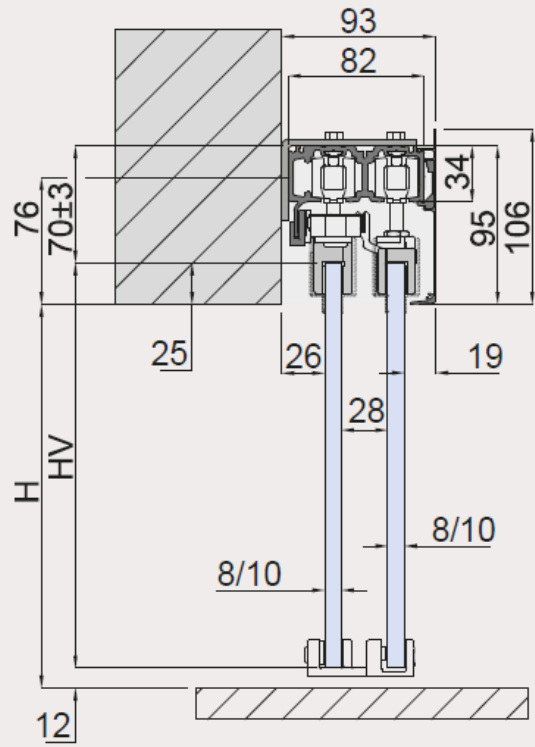
SET 1 / SET 5



$$HV = H - 82$$

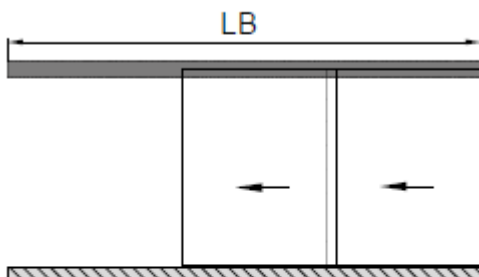
A parete
Wall
Wand

SET 2



$$HV = H + 13$$

SET 1 / SET 2



SET 5

